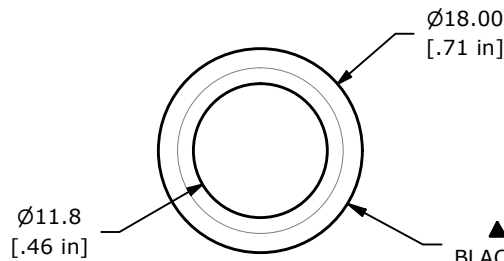


PANEL CUTOUT  
MAX. PANEL THICKNESS  
8.0mm [.31]

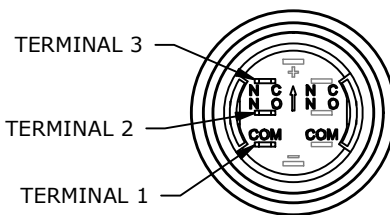
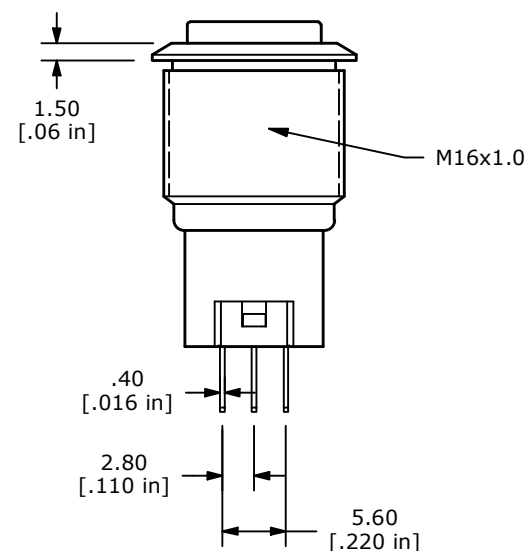
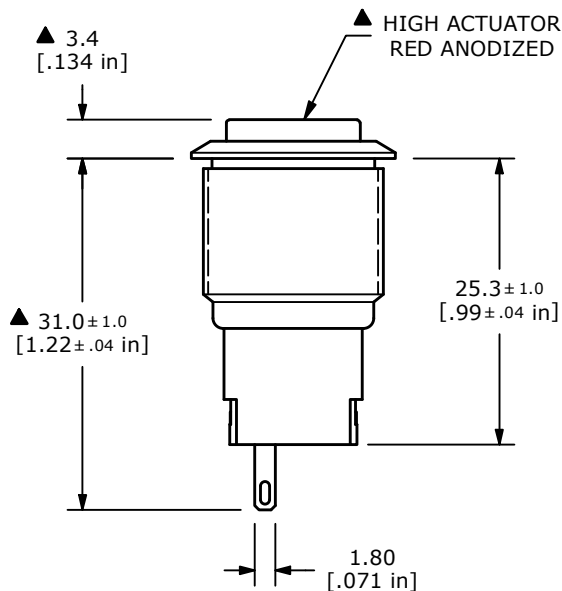
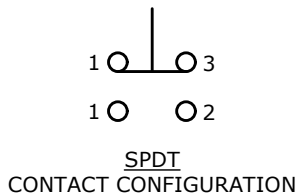


▲ BODY  
BLACK ANODIZED



SWITCH FUNCTION	
POS. 1	POS. 2
ON	(ON)
1-3	1-2

(ON) = MOMENTARY



- NOTE:
1. ALL DIMENSIONS IN MM [INCH]
  2. GENERAL TOLERANCE: X.X = ±0.4  
X.XX = ±0.25
  3. TERMINAL NUMBERS FOR REF ONLY
  - ▲ 4. CONTACT MATERIAL: SILVER
  5. RATING: 2A 48VDC
  6. ELECTRIC LIFE: 50,000 MAKE-AND-BREAK CYCLES  
AT FULL LOAD.
  7. INSULATION RESISTANCE: 1,000 MΩ MIN.
  8. DIELECTRIC STRENGTH: 2,000 VAC MIN. FOR 1 MINUTE
  9. CONTACT RESISTANCE: 50mΩ MAX. @ 1A 12VDC
  10. OPERATING TEMP.: -20°C to 55°C
  11. ▲ DENOTES CRITICAL PARAMETER.
  - ▲ 12. HARDWARE SUPPLIED: O-RING AND HEXNUT
  13. INGRESS RATING: IP65

D	24276	update terminal base	4/23/20	MW
C	23365	UPDATED RATING TO 2A 48VDC	5/14/18	MJR
B	22888	UPDATE RATING TO 1A 24VDC	6/27/17	MJR
REV	PCR NO	DESCRIPTION	DATE	BY



TITLE PV3SWH2B019				
SCALE	DATE	DR	DWG	REV
3:2	8/13/2012	rc	52-PV3SWH2B019	D

THE INFORMATION CONTAINED IN THIS DOCUMENT IS PROPRIETARY TO E-SWITCH AND IS NOT TO BE COPIED OR TRANSFERRED